



# FITTING SUPPLY COMPANY LIMITED

## Ball Valves --- General Purpose

### 3PC BALL VALVE

MODEL: GB3-

CONNECTON TYPE: BW, SW, BSPT.BSP.NPT.

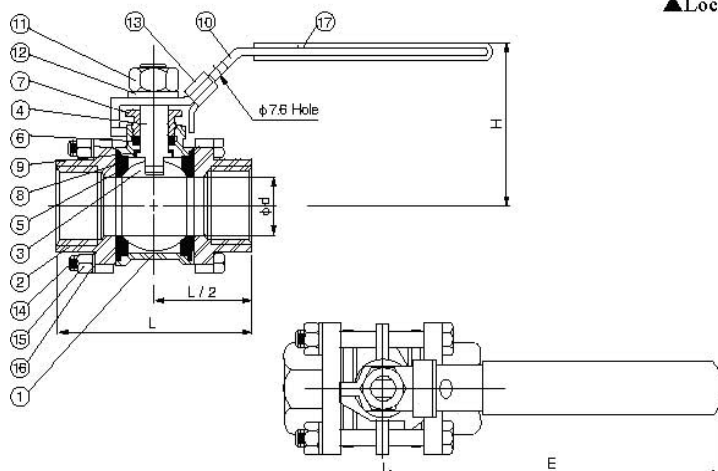
SIZE: 1/4" ~ 4" FULL BORE (1000PSI)

MATERIAL:CF8M(SS316),CF8(SS304), CS

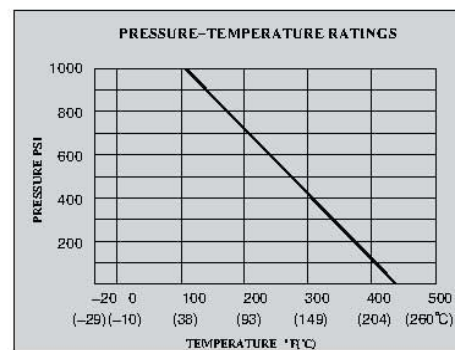


#### Features:

- ▲Investment casting body and cap
- ▲Working pressure 1/4" ~2" 1000PSI, 2 1/2" ~4" 800PSI
- ▲Adjustable stem packing
- ▲Pure teflon seals and seats
- ▲Temperature range:-60 to 450° F
- ▲Blow-out proof stem
- ▲100% leakage tested at 100PSI air under water
- ▲Hydrostatic test pressure: 1/4" ~2" 1500PSI, 2 1/2" ~4" 1200PSI



▲Locking device(optional)



### MATERIAL LIST

NO.	PARTS NAME	MATERIAL	QTY
1	BODY	CF8M	1
2	END CAP	CF8M	2
3	BALL	CF8M	1
4	STEM	316	1
5	BALL SEAT	PTFE	2
6	STEM PACKING	PTFE	2
7	GLAND NUT	304	1
8	END SEAL	PTFE	2
9	THRUST WASHER	PTFE	1
10	HANDLE	304	1
11	STEM NUT	304	8
12	SPRING WASHER	304	1
13	LOCKING DEVICE	304	1
14	BOLTS	304	4
15	BOLT NUTS	304	8
16	BOLT WASHERS	304	8
17	PLASTIC SLEEVE	PVC	1

### DIMENSION LIST

SIZE	D	L ± 0.5	H	E
1/4"	12.7	57.50	45.50	99.5
3/8"	12.7	59.00	45.50	99.5
1/2"	15.0	62.80	48.00	99.5
3/4"	20.0	78.00	61.50	126.5
1"	25.0	82.20	68.00	126.5
1 1/4"	32.0	97.60	79.00	153.0
1 1/2"	38.0	107.60	86.50	153.0
2"	50.0	119.70	94.50	192.0
2 1/2"	65.0	167.20	119.50	248.0
3"	76.0	175.60	130.00	248.0
4"	100.0	219.50	167.00	320.0

**Remark: Options of higher pressure are also available, please contact the supplier for more services.**

## 1PC BALL VALVE

MODEL: GB1-

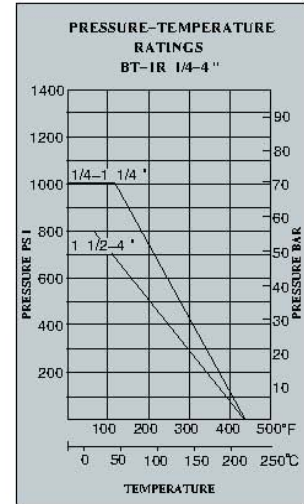
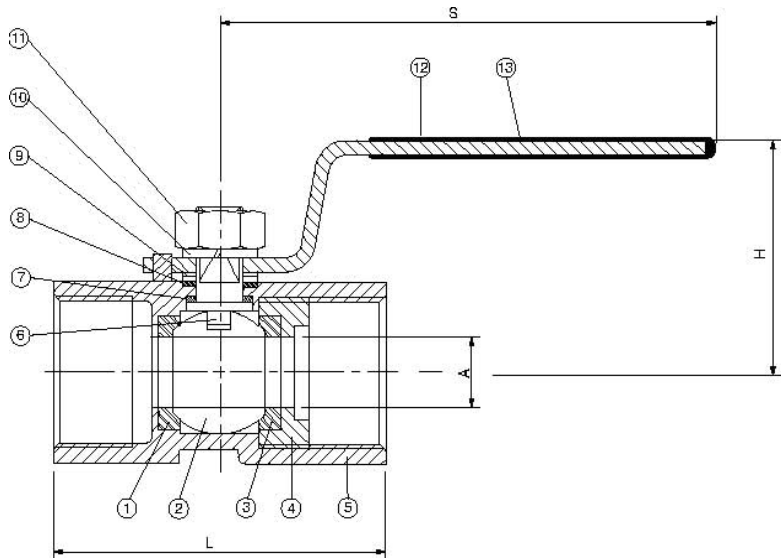
CONNECTON TYPE: BW, SW, BSPT.BSP.NPT.

Size: 1/4"~4" REDUCED BORE (800PSI/1000PSI)

MATERIAL:CF8M(SS316),CF8(SS304), CS



- .▲Investment casting body
- .▲Working pressure 800/1000PSI for W.O.G.
- .▲Adjustable stem packing
- .▲Pure teflon seals and seats
- .▲Temperature range:-60 to 450° F
- .▲Blow-out proof stem,and safe prossure-reducing hole
- .▲100% leakage tested at 100PSI air under water
- .▲Hydrostatic test pressure:1500PSI
- .▲Locking device(optional)



NO.	PARTS NAME	MATERIAL	QTY
1	SEAT	PTFE	2
2	BALL	316/304	1
3	JOINT GASKET	PTFE	1
4	BODY INSERT	CF8M	1
5	BODY	CF8M	1
6	STEM	316	1
7	THRUST WASHER	PTFE	1
8	STEM PACKING	PTFE	1
9	GLAND NUT	304	1
10	STEM WASHER	304	1
11	STEM NUT	304	1
12	PLASTIC SLEEVE	PVC	1
13	HANDLE	SS 304	1

SIZE	S	H±1	A	L±0.5
1/4"	59	28.5	4.6	39.0
3/8"	79	33.5	7.0	44.0
1/2"	87	38.0	9.0	56.5
3/4"	85	41.5	12.5	58.5
1"	99	46.0	16.0	71.0
1 1/4"	99	51.5	20.0	78.0
1 1/2"	126	65.5	25.0	83.0
2"	126	71.5	32.0	100.0
2 1/2"	176	87.5	38.0	122.0
3"	176	95.0	50.0	142.0
4"				

**Remark: Options of higher pressure are also available, please contact the supplier for more services.**

## 2PC BALL VALVE

MODEL: GB2-

CONNECTON TYPE: BW, SW, BSPT.BSP.NPT.

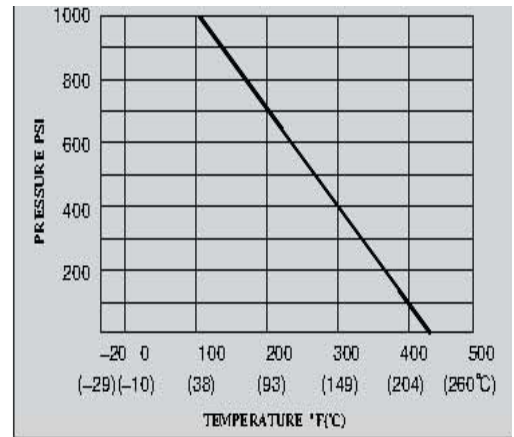
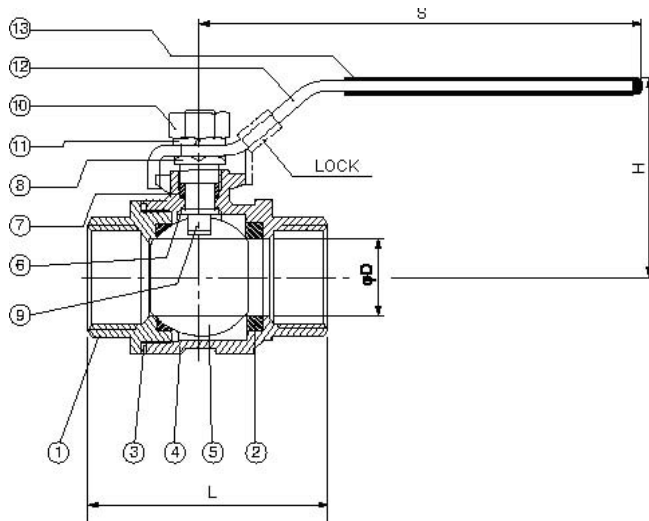
Size: 1/4"~4" FULL BORE (1000PSI)

MATERIAL:CF8M(SS316),CF8(SS304), CS



Features:

- .▲Investment casting body and cap
- .▲Working pressure 1000PSI for W.O.G.
- .▲Adjustable stem packing
- .▲Pure teflon seals and seats
- .▲Temperature range:-60 to 450° F
- .▲Blow-out proof stem
- .▲100% leakage tested at 100PSI air under water
- .▲Hydrostatic test pressure:1500PSI
- .▲Locking device(optional)



NO.	PARTS NAME	MATERIAL	QTY
1	CAP	CF8M	1
2	BALL SEAT	PTFE	2
3	JOINT GASKET	PTFE	1
4	BODY	CF8M	1
5	BALL	316/304	1
6	THRUST WASHER	PTFE	1
7	STEM PACKING	PTFE	1
8	GLAND NUT	304	1
9	STEM	316	1
10	STEM NUT	304	1
11	SPRING WASHER	304	1
12	HANDLE	304	1
13	PLASTIC SLEEVE	PVC	1

SIZE	D	L	H	S
1/4"	12.7	56.0	46.6	99.5
3/8"	12.7	56.0	46.6	99.5
1/2"	15.0	63.0	48.2	99.5
3/4"	20.0	75.8	61.7	126.5
1"	25.0	83.8	69.3	126.5
1 1/4"	32.0	98.0	80.7	153.0
1 1/2"	38.0	108.0	87.2	153.0
2"	50.8	120.6	95.4	192.0
2 1/2"	65.0	160.5	119.5	248.0
3"	76.0	186.2	130.0	248.0
4"	100.0	224.0	167.2	320.0

**Remark: 2000 psi high pressure is also available, please contact the supplier for more services.**